

# CART SERIES

TASK / INSPECTION / HAZARDOUS

DATE: \_\_\_\_\_ PROJECT MGR: \_\_\_\_\_

JOB: \_\_\_\_\_

PN: \_\_\_\_\_



4 Ft. Single  
Fixture Cart

APPLICATIONS

Task Areas  
General Industrial  
Portable Inspection Areas

SPECIFICATIONS

**FIXTURE:** ETL listed. U.S. and Canada  
**LISTINGS:** INS: Non-Hazardous  
 I: UL 1598 ONLY

**ELECTRICAL:** Available in 32 watt with T8 lamps  
 Voltage: 120 Volts or 277 Volts

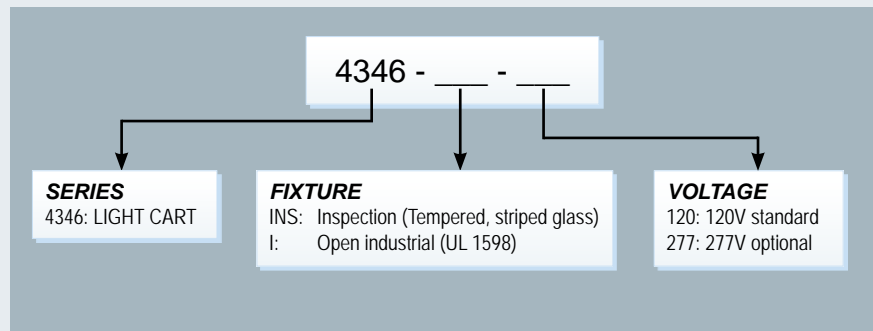
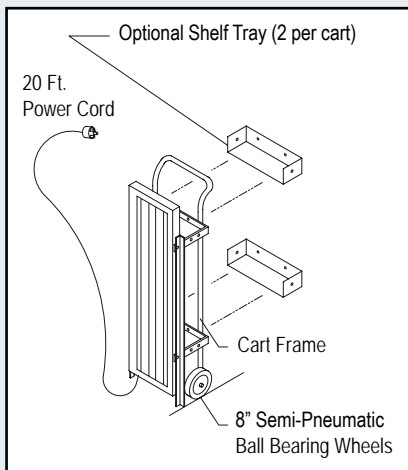
**OPTIONS:** CART OPTIONS  
 Shelf trays: 20 1/2" W x 8" D x 3" H (Qty 2) (P/N 7638)

**FIXTURE OPTIONS**  
 INS: Inspection with tempered, striped lens (lamps included)  
 I: Task/Open industrial with polycarbonate lens (lamps included)

**REPLACEMENT PARTS**  
 Polycarbonate replacement Lens (P/N 7756)  
 F32-T-8 Lamp, 5000K - (Recommended)



TASK / INSPECTION / HAZARDOUS



# CART SERIES

TASK / INSPECTION / HAZARDOUS

DATE: \_\_\_\_\_ PROJECT MGR: \_\_\_\_\_

JOB: \_\_\_\_\_

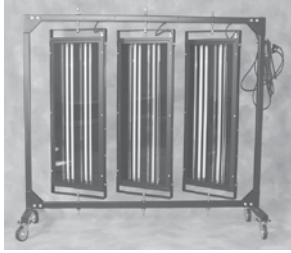
PN: \_\_\_\_\_



Vertical Mount  
Shown with optional tool tray



Horizontal Mount 2 Fixture Only



3 Fixture Inspection Cart



Standard 10"  
Pneumatic Tires

APPLICATIONS

General Industrial  
Portable Inspection Areas

The 4 Ft. 2 and 3 fixture light carts are designed to provide portable lighting solutions for applications ranging from inspection to laboratory and general industrial task lighting. A 4 Ft. single fixture horizontal mount cart is also available for all fixture types. Fixtures are attached with swivel Mounting brackets allowing for directional aiming of the light. ASSEMBLY REQUIRED. Black finish with standard 10" pneumatic tires. (2) swivel (2) non-swivel. Standard 25' power cord with a 3 prong 120 Volts 15 amp plug. Optional 277 Volts 15 amp plug available. Must specify.

SPECIFICATIONS

<b>FIXTURE:</b>	ETL listed. U.S. and Canada
<b>LISTINGS:</b>	INS: Inspection I: UL 1598 ONLY
<b>ELECTRICAL:</b>	Voltage: 120 Volts or 277 Volts Amperage: 15 amps standard
<b>OPTIONS:</b>	<b>CART OPTIONS</b> Vertical or horizontal fixture mount (1 or 2 fixture carts only) Outlet box with 1 duplex outlet available for 120 Volts carts P/N 7641 Tool tray with adjustable shelves P/N 7640 NEMA rated power cord plug, other than specified, can be provided.
	<b>FIXTURE OPTIONS</b> INS: Inspection with tempered, striped lens (lamps included) (vertical mount recommended) I: Task/open industrial (lamps included)
	<b>REPLACEMENT PARTS</b> Polycarbonate lens F32-T-8 lamp, 5000K - (recommended)



TASK / INSPECTION / HAZARDOUS

<p><b>SERIES</b> 3668: 2 Fix. Cart 3669: 3 Fix. Vertical Cart 4520: 1-4 Ft. Horizontal Cart</p>	<p><b>WHEELS</b> P: 10" Tires Pneumatic (Std)</p>	<p><b>FIXTURE</b> INS: Inspection (Tempered, striped glass) I: Open Industrial (UL 1598)</p>	<p><b>VOLTAGE</b> 120: 120V standard 277: 277V optional</p>
---	---	--	---

**Notes:**  
P/N 3668H and 3669H are Class I Div. 2 hazardous location carts. These carts are assembled with a stationary fixture mounting bracket.

P/N 3669 and 3669H 3 Fixture carts: vertical mounting position ONLY.

P/N 3668H: Must specify vertical or horizontal mounting. Add a V or H to the end of the part number.

3 Fixture Cart  
Vertical Mount ONLY

25 Ft. Main Power Cord

Optional Tool Tray With Adjustable Shelves

Optional Outlet Box

Standard 10" Pneumatic Tires

Standard 10" Non-Swivel Pneumatic Tires

4520: 1-4 Ft. Horizontal Fixture

